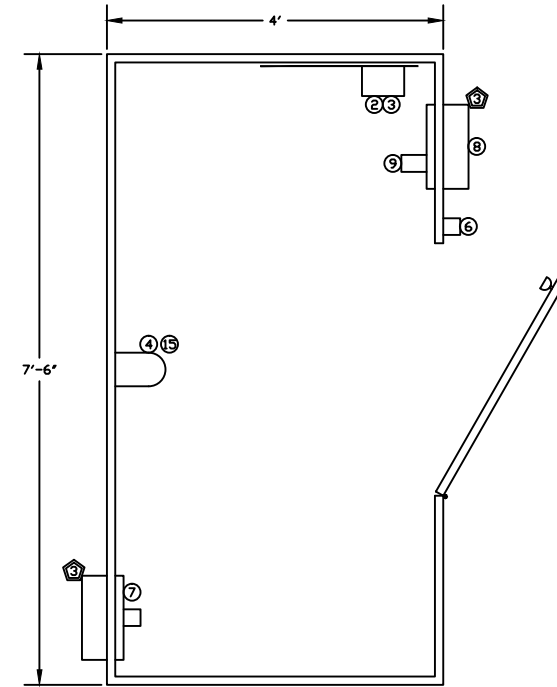


FRONT
OUTSIDE VIEW

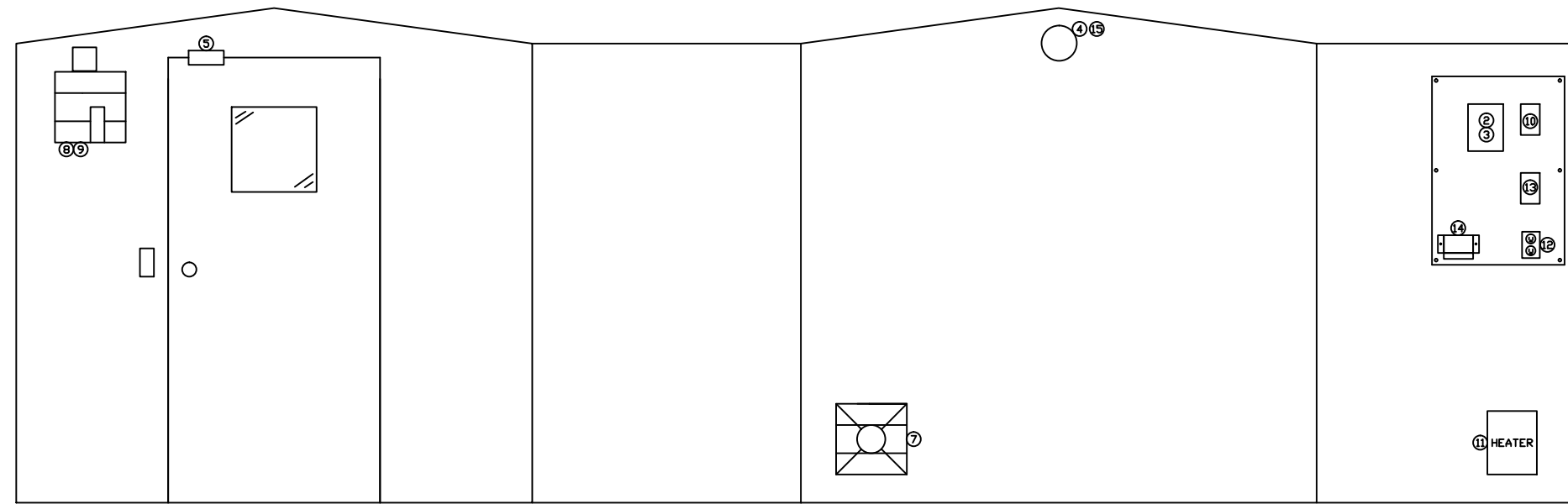


TOP VIEW

BILL OF MATERIALS			
ITEM	QTY.	DESCRIPTION	MGF - PART NUMBER
1	1	BUILDING 7'-6" x 4' x 7'	BEVCO ECS-F84
2	1	FUSED SAFETY SWITCH, 30 AMP	GE TPF30R
3	2	FUSE, 15 AMP	GOULD TR15R
4	1	LIGHT FIXTURE, 120V, 100W, PVC	BEV105-0001
5	1	MICROSWITCH, 2PST, 1-N/O, 1-N/C	BEV115-0017
6	1	SWITCH, TOGGLE, 1POLE, 15A, IVORY	BEV115-0009
7	1	FAN, EXHAUST, 10in, 120V, METALLIC	BEV124-0001
8	1	LOUVER, INTAKE, 10in, METALLIC	BEV124-0005
9	1	LOUVER, MOTOR, 120V, METALLIC	BEV124-0009
10	1	THERMSTAT, 40-105F, SPDT, N4X	BEV124-0019
11	1	HEATER, 120V, 1500W	BEV124-0018
12	1	OUTLET, DUPLEX, 15A, IVORY, STD	BEV115-0001
13	1	THERMSTAT, HI-TEMP, CUTOUT	BEV124-0020
14	1	TEST KIT HOLDER	BEVCO TKHOLDER
15	1	LIGHT, BULB, 90W, 120V	BEV105-0002
16			
17			
18			
19			
20			

NOTE - ALL CONDUIT AND FITTINGS TO BE U/L LISTED PVC.

- ① FIBERGLASS DOOR WITH S.S. HINGE.
- ② LOCKABLE S.S. DOOR HARDWARE.
- ③ CANDPY WITH INSECT SCREEN.



FRONT
INSIDE VIEW

LEFT
INSIDE VIEW

REAR
INSIDE VIEW

RIGHT
INSIDE VIEW

		TITLE FCS-F84 FIBERGLASS BUILDING LEFT SIDE HINGE 7'6" X 4' X 7'	
2	11/28/05	REMOVED CONDUIT RUNS	EWS
1	02/18/02	REPLACE P/N IN BOX W/ BEV. PART NUMBER	SS
NO.	DATE	REVISION	BY
			DRW. BY RLS
			DRAWING NUMBER
			SCALE NONE
			DATE 1-18-00
			SD-224